



SEP1006K SERIES ~ High Current Power Inductors



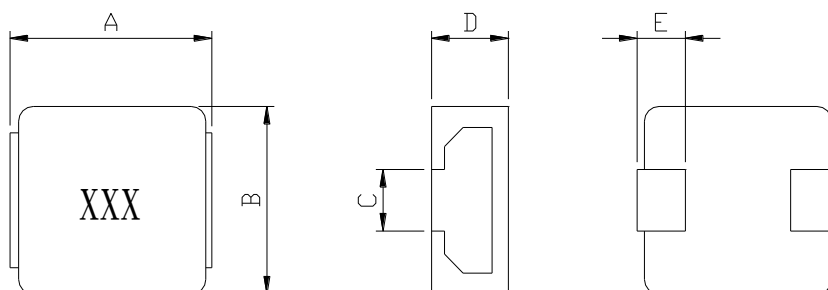
PART NUMBERING SYSTEM

SEP	1006K	—	2R2M	—	LF
TYPE	DIMENSIONS		INDUCTANCE		LEAD FREE

FEATURES :

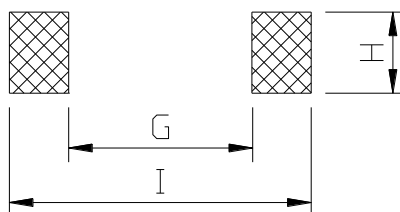
- Magnetically shielded and low DC resistance .
- Suitable for large current .
- Ideal for DC – DC converter inductor application in hand help personal Computer ,etc .
- Frequency range up to 5MHZ .
- Lead Free with RoHS compliant .

SHAPES AND DIMENSIONS :



A=11.1 Max. B=10.4 Max. C=4.0±0.2 D=6.0 Max. E=2.2±0.3 UNIT : mm

RECOMMENDED PATTERNS



H=4.6 G= 5.0 I = 12.6 UNIT : mm

SEP1006K SERIES ~ High Current Power Inductors

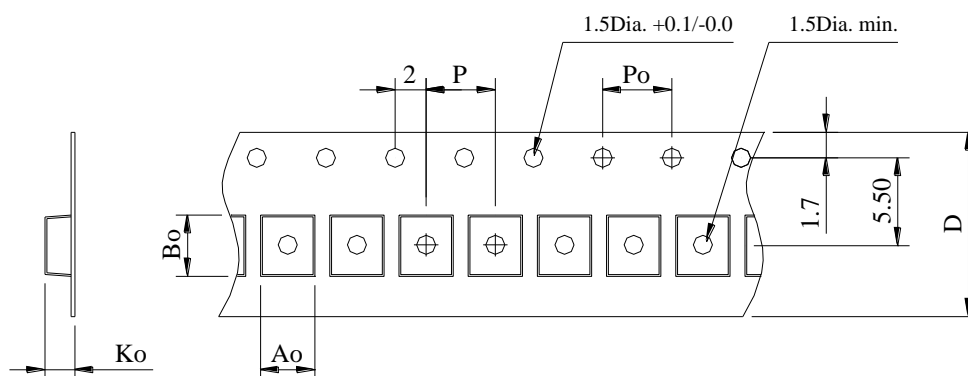


SPECIFICATION TABLE

PART NUMBER	INDUCTANCE (μ H)	Isat (A) (Typ.)	Irms (A) (Typ.)	DCR (m Ω) (Max.)	TEST FREQ. (f)
SEP1006K-R47M-LF	0.47 \pm 20%	38.0	21.0	3.2	100KHz/0.1V
SEP1006K-R82M-LF	0.82 \pm 20%	32.0	19.0	4.0	100KHz/0.1V
SEP1006K-1R5M-LF	1.5 \pm 20%	28.0	17.0	5.0	100KHz/0.1V
SEP1006K-2R2M-LF	2.2 \pm 20%	26.0	14.0	9.0	100KHz/0.1V
SEP1006K-3R3M-LF	3.3 \pm 20%	19.0	11.0	12.0	100KHz/0.1V
SEP1006K-4R7M-LF	4.7 \pm 20%	15.0	9.5	14.0	100KHz/0.1V
SEP1006K-6R8M-LF	6.8 \pm 20%	12.5	8.5	17.0	100KHz/0.1V
SEP1006K-8R6M-LF	8.6 \pm 20%	11.0	8.0	19.0	100KHz/0.1V
SEP1006K-110M-LF	11 \pm 20%	9.0	7.5	24.0	100KHz/0.1V

- I sat : DC current at which the inductance drops 20% (typ) from its value without current.
- I rms : Average current for a 40°C temperature rise above 25°C ambient.
- Operating temperature range -55°C to +125°C , Electrical specifications at 25°C.

PACKAGING SPECIFICATION



STAYLE	Q'TY (PCS)	DIMENSIONS (m/m)					
		A_o	B_o	K_o	P	P_o	D \pm 0.3
13"	500	11.2	10.8	6.4	12	4.0	16